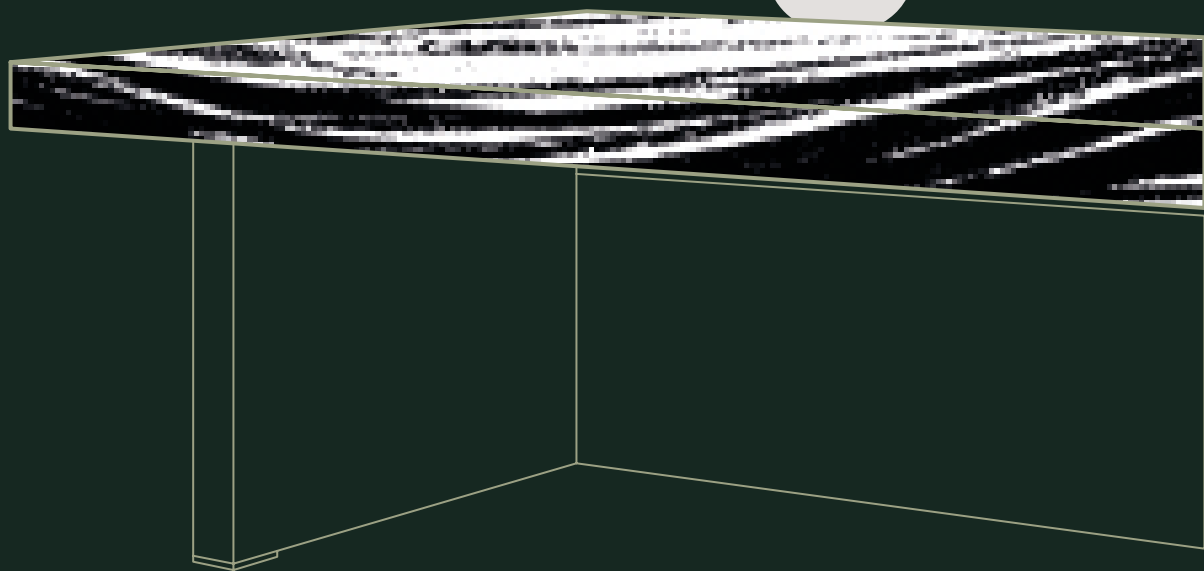


presidential desk
TECHNICAL FILE

Touring



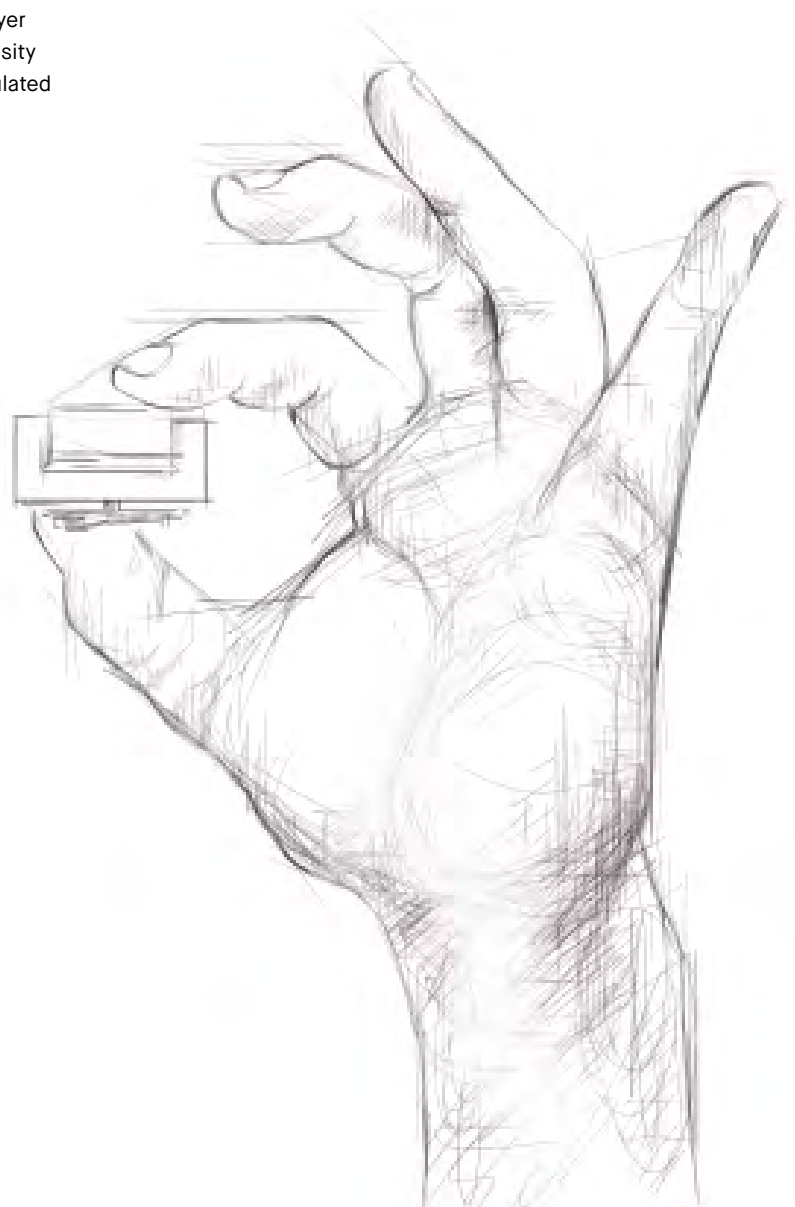
Materials, Finishes & Quality

- Table top core is MDF Mediland quality LP classified as Class E1 according to European norm EN 622-1:2003 and density between 600-620KGS/m³ which is maximum in furniture appliance.
- To achieve the piano lacquer finish a thick layer of lacquer is applied which afterwards goes through a 10 days manual polishing process with wool.
- All pieces come with three layers of polish with **sanding by hand** between each layer to achieve an optimal smooth adherence and durability.
- The wooden parts are all **polished** with lacquers of polyurethane with high content of solids to build a greater hardness without losing the sensation of the wooden touch.
- The decorating elements are made by **laser cut stainless steel** finished by hand.
- The structures are made of steel given an **exclusive treatment** which consist of niquel bath, lacquered and polished by hand.
- All tables are **finished by hand**, pre-assembled in the factory, numbered one by one to guarantee a perfect assembly for the final client.
- **Unique packaging** in reticulated polyethylene foam, triple layer of laminate polyethylene with hermetic bubbles 5x5 and density of 5400 bubbles/m², corner protectors of high density reticulated polyethylene foam and cardboard box made to fit.



UNE-EN ISO
9001:2015

UNE-EN ISO
14001:2015

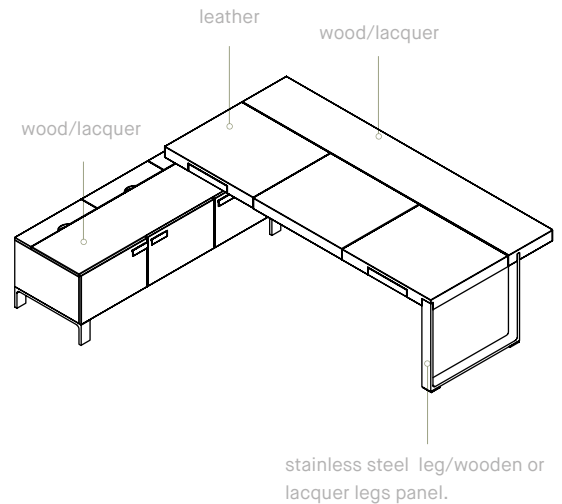


TOURING

TECHNICAL PRESENTATION

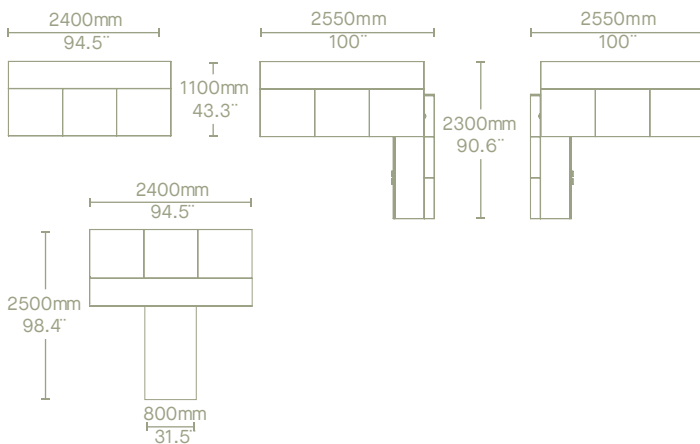
Presidential desk

- Desk made with **MDF top** with interior reinforced steel structure top with steel tubes of 40x30x1,5mm/1.6x1.2x0.06" painted and protected against corrosion. The top incorporates a solid stainless steel piece of 240x85mm/9.4x3.3".
- The desk with steel leg support, is always supported on a left/right credenza which elegantly solves all **cable management**. The desk with wooden leg support is available as free standing desk or supported on left/right side return. The desk has the **option of a long modesty panel in wood veneer or piano lacquer finish**.
- There are **two options** for lateral structure:
 - 1) Desk with lateral **steel structure** made through pure craftsmanship. This structure is made with steel tube which measures 20x80mm/0.8x3.1" (40mm/1.6" in thickest part) and it enters 60mm/2.4" into the 85mm/3.3" thick top laterally and in front part.
 - 2) **Wooden leg** of 80mm/3.1" of thickness.
- The desk incorporates 2 front drawers with space for DIN A 4 papers and pencils with veneer/leather finish. The top is available with **two or three natural leather pieces** in the cover area.
- Desk top with natural veneer or piano lacquered finish (white/black). It can also be **personalized** as especial request.

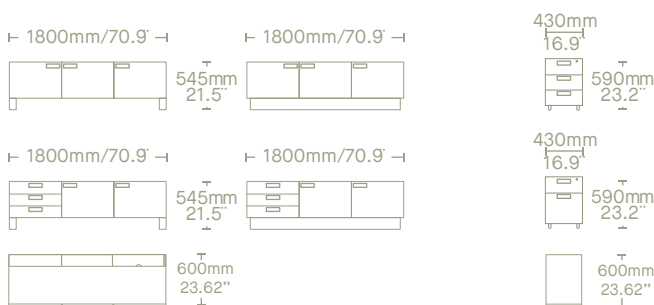


Dimensions

Office desks



Rerturn side credenzas



BOS BARCELONA

Table top

Thickness



Shape

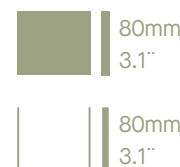


Finishes

Wood
Lacquer
Leather

Structure

Shapes



Finishes

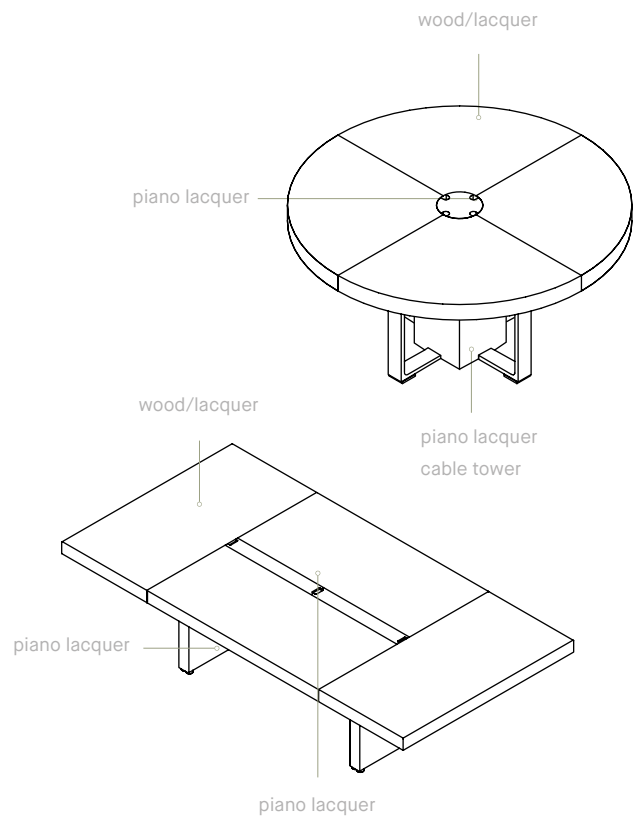
Lacquer or wood
Stainless steel

TOURING

TECHNICAL PRESENTATION

Meeting table

- Conference table made of **MDF top with interior reinforced steel structure top** with steel tubes of 40x30x1,5mm/1.6x1.2x0.06" painted and protected against corrosion.
- Conference table top with natural venner or piano lacquer finish (white/black). It can be **personalized** as a special request.
- The conference tables have 100% **cable management** through central wiring channel in top, which comes with piano lacquered MDF cover and legs which are all accessible for the vertical cable management finished in black/white piano lacquer.
- **The round conference table has an optional cable tower** in shiny lacquered finish for the vertical cable management.



Dimensions

Meeting tables

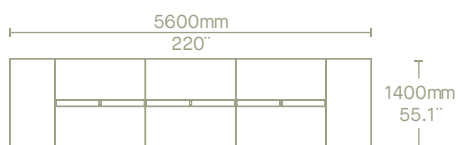
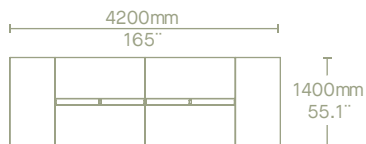
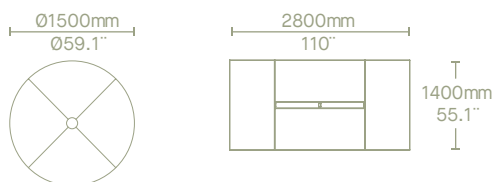


Table top

Thickness



Shape



Finishes

Wood
Lacquer

Structure

Shapes



Finishes

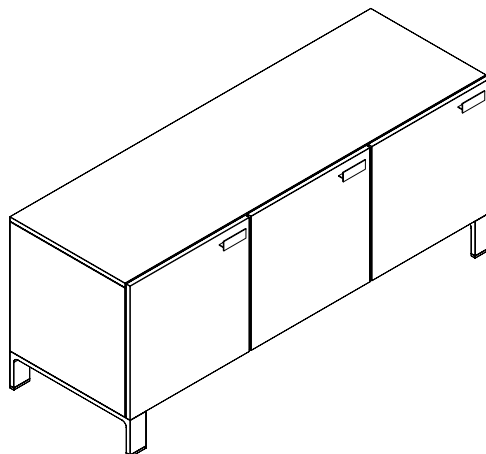
Wood option
Lacquer

Steel painted

TOURING
TECHNICAL PRESENTATION
TOURING SINGULAR COLLECTION

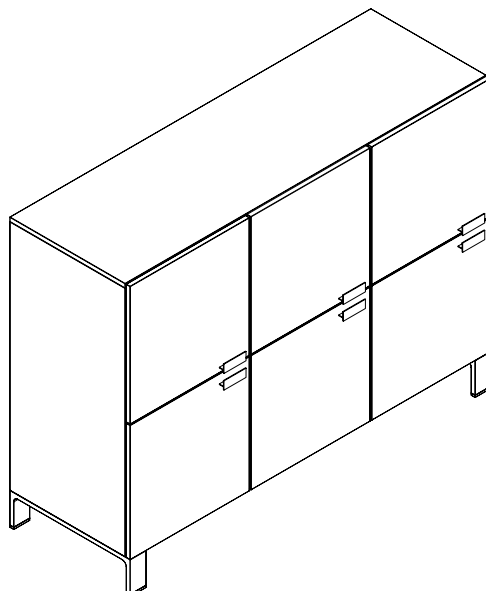
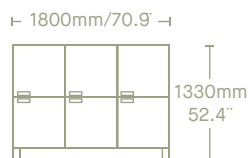
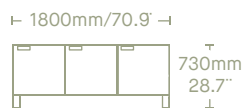
Credenzas & Bookcases

• XXX XXX



Dimensions

Credenzas & bookcases compositions



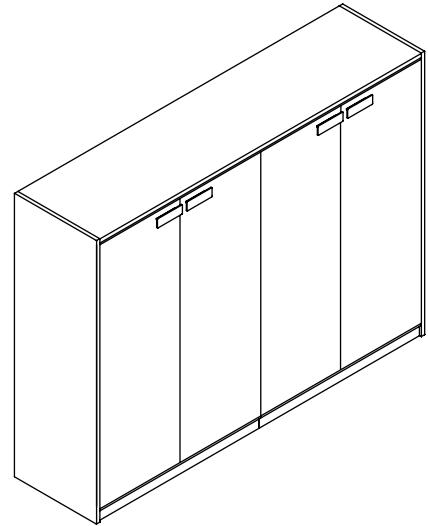
TOURING

TECHNICAL PRESENTATION

LUXURY COLLECTION

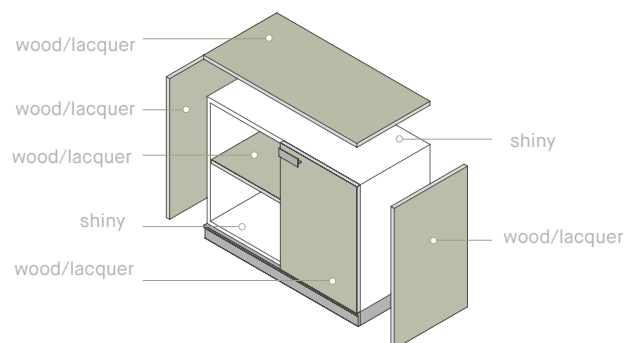
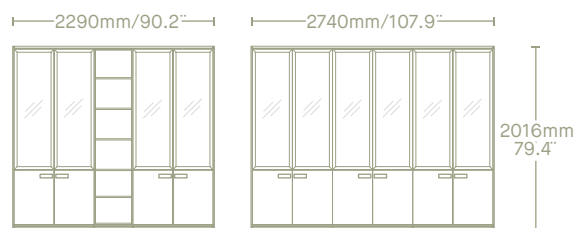
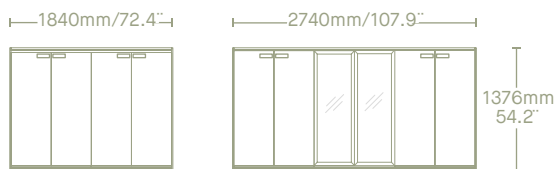
Credenzas & Bookcases

- Credenzas and bookcases from the **luxury collection** which are made with modules in black/white shiny lacquer with either wooden or piano lacquered shelves or doors. To finish the composition you need to finish with top and side panels.
- Modules are either open or closed with **wooden/piano lacquered doors** or **transparent glass doors** in aluminium profile.
- There is specific module which is prepared for **incorporation of refrigerator to make a bar module**. Credenzas offer the possibility of a module with 4 drawers.



Dimensions

Credenzas & bookcases compositions

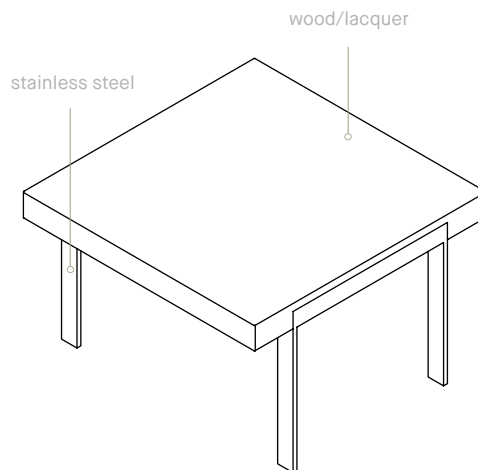


TOURING

TECHNICAL PRESENTATION

Occasional tables

- Occasional table with **MDF top of 60mm/2.4" and 140mm/5.5"**.
- Coffee tables with **steel structure** in inox finish.
- Tops finished in **natural wood veneer** or **white/white piano lacquer**.



Dimensions

Occasional tables

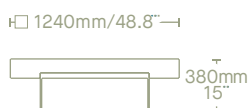
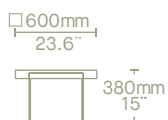


Table top

Thickness



Shape



Finishes

Wood
Lacquer

Structure

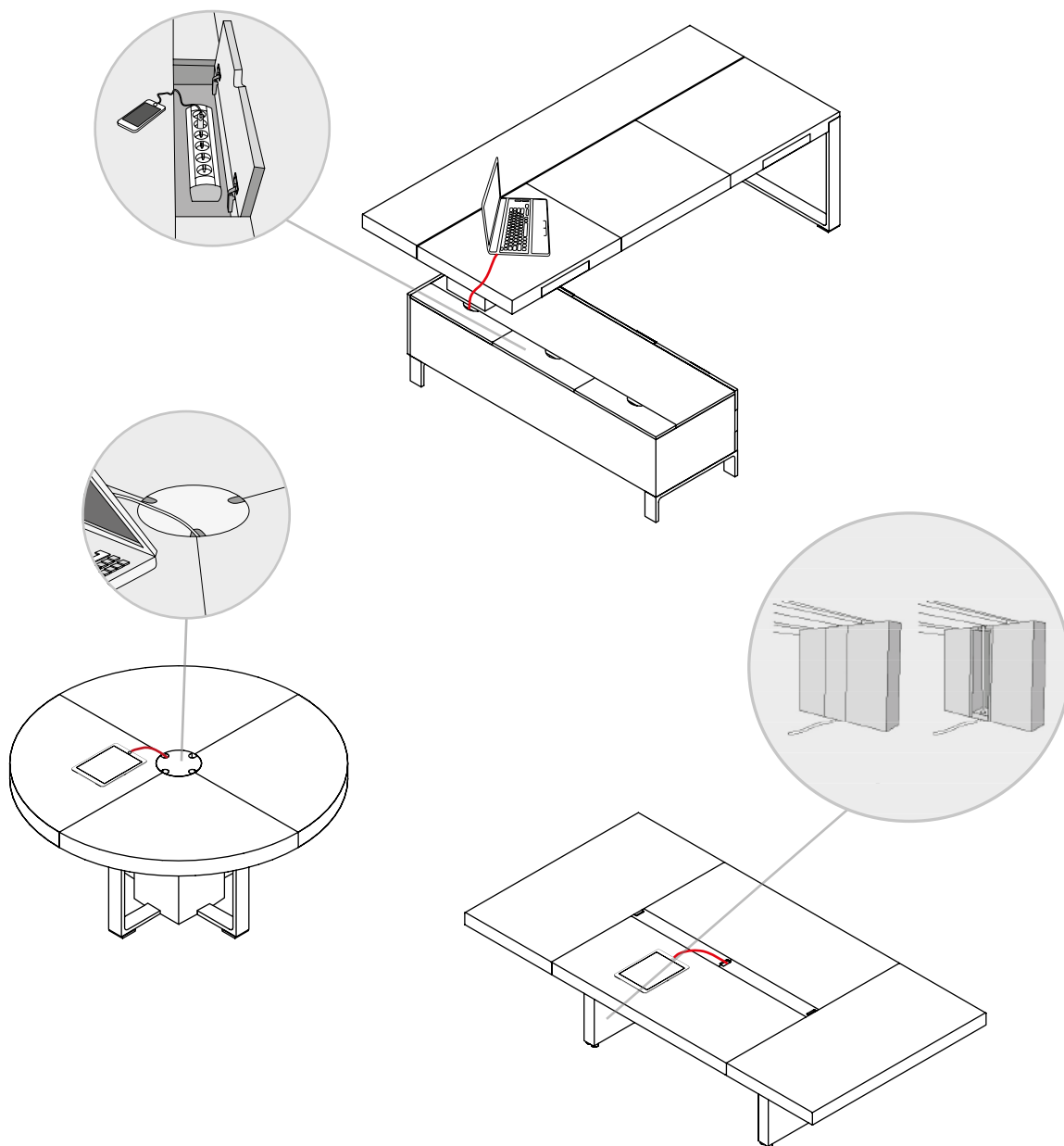
Finishes

Stainless steel

TOURING

CABLE MANAGEMENT

Presidential desk & meeting tables



Powerstrip options - Power strip three positions



Schuko



UK socket



US socket



Euroamericana



Charger USB



USBA



USBB



USBC



RJ45 cat6



HDM



VGA with jack



DVI



XR L 3 pin



RCA



Full Grain Leather - serie 900 - *Category Leather*



Full Grain Leather - ASOLO - *Category Leather*



Natural Leather - serie 100 - *Category Leather*



Natural Leather - ORLANDO - *Category Aniline Leather*

41000	41002	41005
41011	41012	41018
41300	42001	42008
42010	43004	44011
44020	45010	45020
48004	49000	

Natural Leather - SIERRA - *Category Aniline Leather*

056	015	060
050	013	036
038	033	034
031	139	A004
A003	A001	A002
1200		

Natural Leather - S1800 - *Category Aniline Leather*

1834	1833	1810
1805	1852	1808
1827	1825	1809
1802	1803	

Natural Leather - NABUK - *Category Aniline Leather*

CRETA	OLIVA	GRIGIO
CAMEL	SEPIA	NUT
BRUCIATO	MARRONE	T.MORO
AVIO	BLACK	

Eco leather - Valencia - Category FAB1

8023	1048	1049
1001	1050	4001
0035	0002	9001
2020	6012	6019
2075	2062	0033
2075	2062	3067
5001	5069	4043
4002	4041	4040
4045	4003	0020
9035		

Eco leather - Chronos - Category FAB2

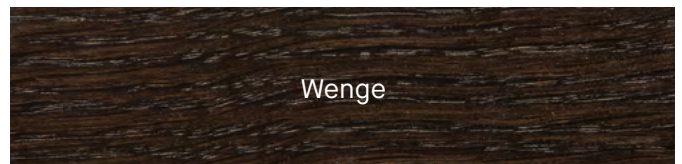
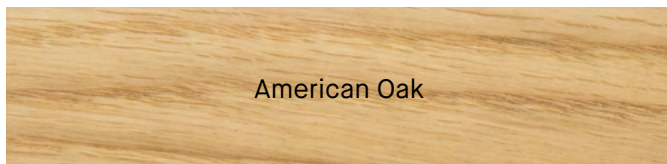
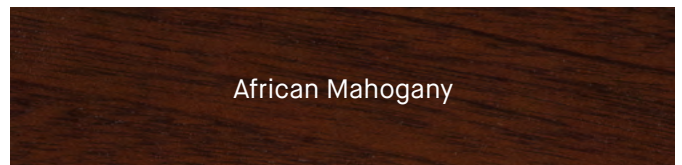
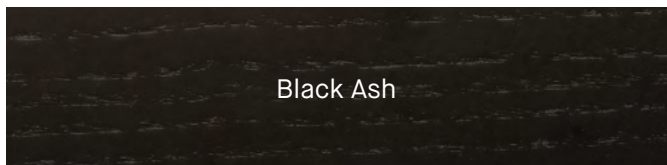
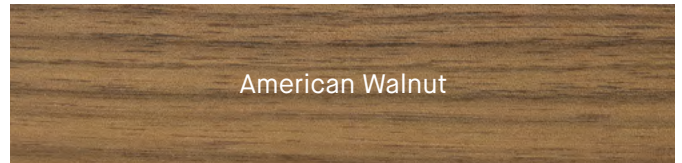
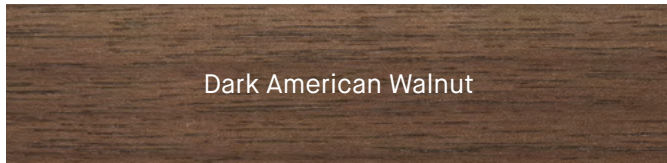
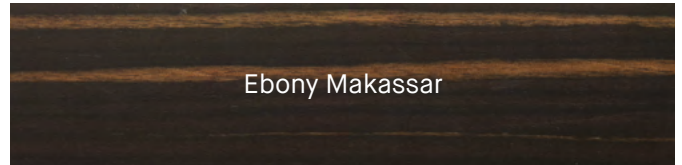
0001	0002	0003
0008	0004	0005
0007	0006	0009
0011	0013	0010
0018	0019	0020

Eco leather - NETTO - Category FAB3

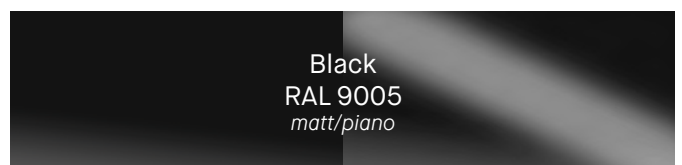
SI791	SI281	SI261
SI671	SI421	SI151
SI041	SI081	SI151
SI351	SI371	SI971
SI431	SI751	SI011
SI031		

TOURING FINISHES

Natural wood veneers




Lacquer finishes







Diagonal 456
08006 Barcelona (Spain)

T +34 932 370 942
info@bos1964.com


 bosbarcelona.com

 Instagram
[@bosbarcelona](https://www.instagram.com/bosbarcelona)

 Facebook
[/bos1964](https://www.facebook.com/bos1964)

 LinkedIn
[Bos Barcelona](https://www.linkedin.com/company/Bos-Barcelona)

 Pinterest
[/bos1964](https://www.pinterest.com/bos1964)

 Youtube
[BOS Barcelona](https://www.youtube.com/BOS-Barcelona)